



# MXC605-FL CONFERENCE UNIT



MXC605-FL  
Conference Unit

## OVERVIEW

The MXC605-FL is a flush mount conference unit for use with the Microflex® Complete (MXC) digital conference system. This unit can be configured for use by a chairman, a delegate, or as an ambient microphone. The unit features a speak button and function button, a lockable XLR microphone connector, headphone jack with individual volume control, and channel selector. The speak button enables the user to activate/deactivate the microphone directly or to submit a request to speak. An LED on the unit indicates whether the microphone is on (red) or in request to speak mode (green). The Chairman function button options include: Disabled/No function, Mute, Reply, All delegates off, Mute All, and Exclusive. The headphone jack allows the user to listen to the floor channel or interpretation channels through headphones. The optional MXC605-LS loudspeaker provides sound reinforcement of local talkers and external audio sources except when the microphone is activated. The unit features redundant loop connection to the DIS-CCU.

## FEATURES

- Configurable for Chairman, Delegate or Ambient roles with loudspeaker connection option to MXC605-LS
- Speak and function buttons with LED indicators
- Channel selector supporting the floor channel and 4 interpretation channels
- 3.5 mm TRS headphone jack
- Lockable 3-pin female XLR microphone connector
- Connects to DIS-CCU central control unit using shielded CAT5e (or higher) F/UTP or U/FTP cabling with redundant loop

## SPECIFICATIONS (subject to change)

### ELECTRICAL

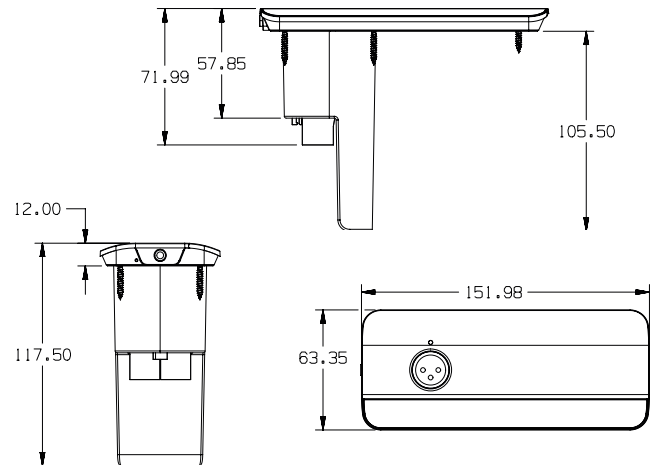
Frequency response (headphone)	65 Hz-16 kHz
Frequency range (loudspeaker)	150 Hz-15 kHz
Power consumption	Typical 1.8 W, Maximum 2.6 W
THD	< 0.1 %
Signal-to-noise-ratio	> 85 dBa

### INTERCONNECTION

DSC-LAN	Two RJ45 female sockets (in/out)
Microphone	Compatible with GM4xx / GM59xx gooseneck microphones
Microphone Connector	3-pin XLR
Headphone	3.5 mm jack, female socket TRS
Loudspeaker	Molex 2-pin SPOX connector for MXC605-LS

### MECHANICAL

Installation	Flush-mount (Hole Diameter 48 mm)
Dimension (H x W x D)	50 x 50 x 106 mm
Weight	Base 188g, Top 79 g
Color	Black



Dimensions shown in mm

## AVAILABLE MODEL

MXC605-FL	Flush-mount conference unit w/ channel selection
-----------	--

## INCLUDED ACCESSORY

Standard speak + function overlay

## AVAILABLE ACCESORIES

MXC605-LS	Loudspeaker for use with MXC605-FL or MXC605-FS
-----------	---

Button overlays provide a range of functions that enable the MXC605 portable or flush-mount conference units to suit the needs of different users.

<b>SPEAK BUTTON OVERLAY</b>	Features Speak button, volume control, channel selector Accessory MXC605-FL-ACC-SPK includes 10
-----------------------------	--



<b>SPEAK-FUNCTION BUTTON OVERLAY</b>	Features Speak & Function buttons, volume control, channel selector 1 included with MXC605-FL conference unit Accessory MXC605-FL-ACC-S+F includes 10
--------------------------------------	---

