

MXCMIU Multi Interface Unit

Overview

The MXCMIU is modular conference unit for use with the Microflex® Complete (MXC) digital conference system. It is designed for installation inside the conference furniture, below tables, or inside floor boxes, allowing the front plate to install flush in a table or podium where limited space is available. The unit supports one or two front plates with microphone, loudspeaker, and control buttons connected to the two HDMI connectors. The unit can also support an analog audio signal from a microphone or audio playback device via the XLR audio input. A ground lift switch is also provided. The MXCMIU connects to the DIS-CCU central control unit via the DCS-LAN chain, transporting power, audio, and control data across a shielded Cat 5e cable.

Features

- Modular conference unit for use with remotely-mounted front plates
- Supports XLR mic/line audio input
- Ground lift switch
- Configurable as Delegate or Chairman
- Connects to DIS-CCU central control unit using shielded CAT5e (or higher) F/UTP or U/FTP cabling

Specifications (subject to change)

ELECTRICAL

Frequency response (channel selector)	65 Hz-16 kHz
Frequency range (loudspeaker)	150 Hz-15 kHz
Power consumption	3 W
THD	< 0.1 %
Signal-to-noise ratio	> 90 dBA
Front plate connection	Two HDMI connectors
Mic/Line input	3 pin XLR female

INTERCONNECTION

DCS-LAN	Two RJ45 female sockets (in/out)
---------	----------------------------------

MECHANICAL

Installation	Flexible
Dimensions, unit without bracket (H x W x D)	40 x 140 x 84 mm
Weight	250 g
Color	Black
Temperature range	5° to 40° C



MXCMIU
Multi Interface Unit



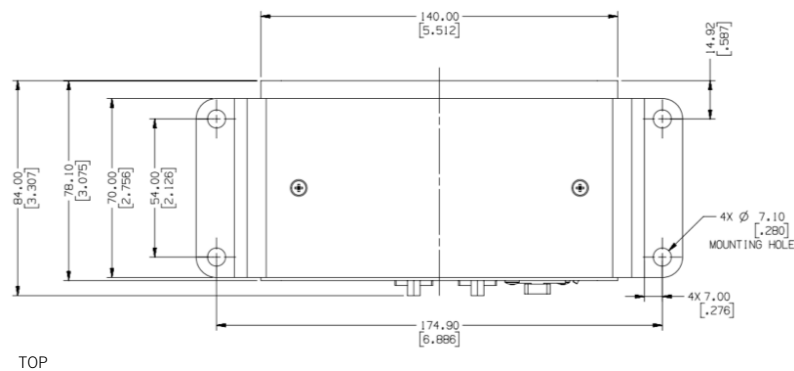
FRONT



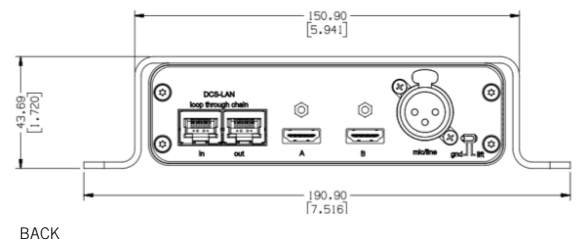
BACK

Available Models

MXCMIU	Multi Interface Unit
--------	----------------------



TOP



BACK

SHURE[®]
LEGENDARY
PERFORMANCE™